



# DOSATRON®

WATER POWERED DOSING TECHNOLOGY

## 20 GPM: D45RE15

### Product Specifications

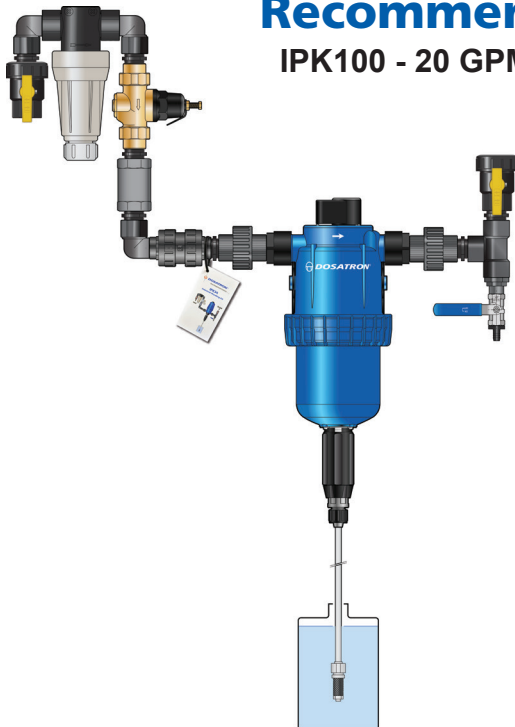
**Call 800-523-8499 to order the Dosatron for your specific application**

<b>Dilution Range:</b>	1:500 to 1:66 (.2% to 1.5%)
<b>Water Flow Range:</b>	.4 to 20 GPM
<b>Operating Pressure Range:</b>	7 to 70 PSI
<b>Available Housing Materials:</b>	Polyacetal (Standard Blue)
<b>Dimensions:</b>	24" x 7 1/2"
<b>Weight:</b>	8 lbs
<b>Connection Size:</b>	1" NPT
<b>Maximum Temperature:</b>	104° F
<b>Included Accessories:</b>	6 ft clear suction tube, strainer, weight, mounting bracket and operating manual
<b>Recommended Accessories:</b>	200 mesh filter, check valve, pressure regulator, flow restrictor.



## Recommended Installation

### IPK100 - 20 GPM Industrial Plumbing Kit



- 1" polypropylene Banjo single union ball valve
- 1/2" stainless steel ball valve
- 1" poly 200 mesh tee filter
- 1" brass pressure regulator w/gauge
- 1" 20 GPM flow restrictor
- 1" polypropylene check valve
- 1" unions PVC schedule 80
- 1" x 2" Banjo polypropylene fittings
- 1/2" x 2" Banjo polypropylene fittings
- 1/2" x 1/2" Banjo barb fitting
- 1" to 3/4" Banjo reducer bushing
- 3/4" male to 1/2" female Banjo reducer bushing
- 1" Banjo T
- 1" Banjo street elbows
- Roll of teflon tape
- Instruction card
- Zip tie



**Dosatron International**

**2090 Sunnydale Blvd. • Clearwater, FL, USA**

**800-523-8499 • www.dosatronusa.com**

Dosatron International, Inc. is an industry leader in water-powered, proportional chemical injectors. Dosatron products are manufactured according to ISO 9001:2000 and ISO 14001:2004 standards.