



# DOSATRON®

WATER POWERED DOSING TECHNOLOGY

## 14 GPM: D14MZ2

### Product Specifications

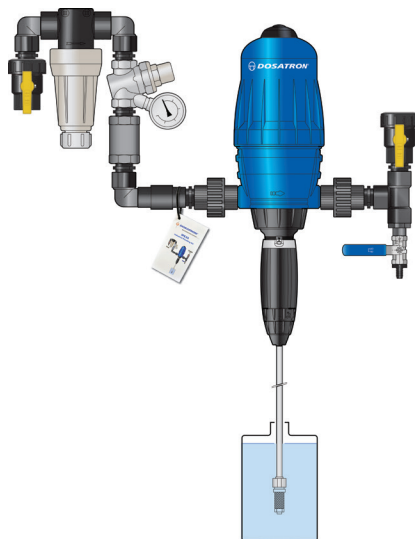
**Call 800-523-8499 to order the Dosatron for your specific application**

<b>Dilution Range:</b>	1:500 to 1:50 (0.2% to 2%)
<b>Water Flow Range:</b>	0.05 to 14 GPM
<b>Operating Pressure Range:</b>	4.3 to 85 PSI
<b>Available Housing Materials:</b>	<ul style="list-style-type: none"> <li>• Polypropylene (Standard Blue)</li> <li>• PVDF (White)</li> </ul>
<b>Dimensions:</b>	19 1/18" x 6 5/16"
<b>Weight:</b>	6 lbs
<b>Connection Size:</b>	3/4" NPT
<b>Maximum Temperature:</b>	104° F
<b>Included Accessories:</b>	6' clear suction tube, strainer, weight, mounting bracket and operating manual
<b>Recommended Accessories:</b>	IPK34, Bypass - part #: MPDI196



## Recommended Installation

### IPK34 - 14 GPM Industrial Plumbing Kit



- 3/4" polypropylene Banjo single union ball valve
- 1/2" stainless steel ball valve
- 3/4" poly 200 mesh tee filter
- 3/4" brass pressure regulator w/gauge
- 3/4" 14 GPM flow restrictor
- 3/4" polypropylene check valve
- 3/4" union schedule 80 PVC
- 3/4" x 2" Banjo polypropylene fittings
- 1/2" x 2" Banjo polypropylene fittings
- 1/2" x 1/2" Banjo barb fitting
- 3/4" male to 1/2" female Banjo reducer bushing
- 3/4" Banjo T
- 3/4" Banjo street elbows
- Roll of Teflon tape
- Instruction card
- Zip tie



**Dosatron International**  
**2090 Sunnydale Blvd. • Clearwater, FL, USA**  
**800-523-8499 • www.dosatronusa.com**

Dosatron International, Inc. is an industry leader in water-powered, proportional chemical injectors. Dosatron products are manufactured according to ISO 9001:2000 and ISO 14001:2004 standards.